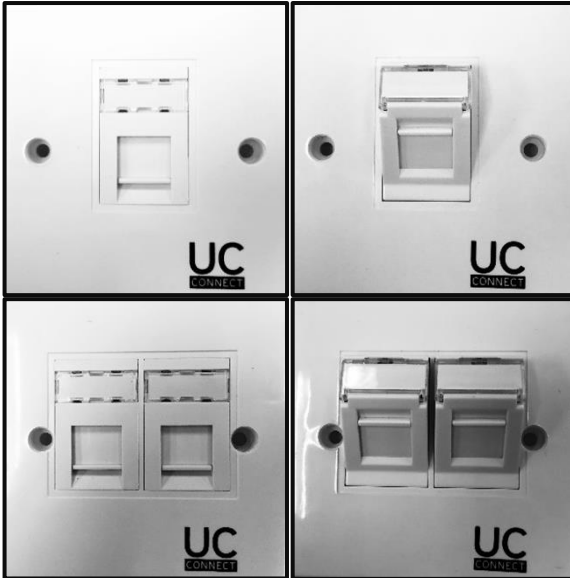


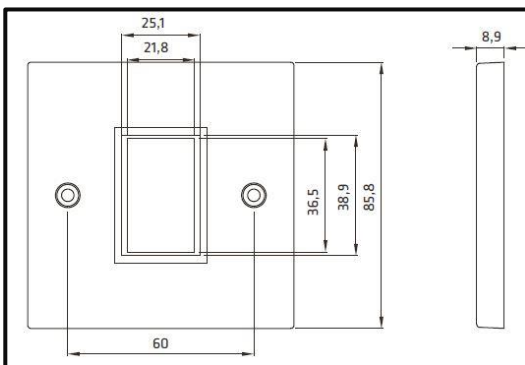
UCCONNECT®

Single and Dual Port UK Frame Face Plate (LJ6C Type)

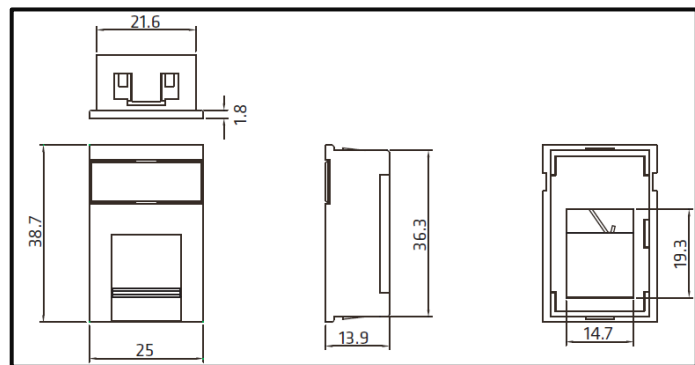


- LJ6C adaptor type face plate
- Available in both flat and angled version
- Support 1-port and 2-port
- RoHS Compliant

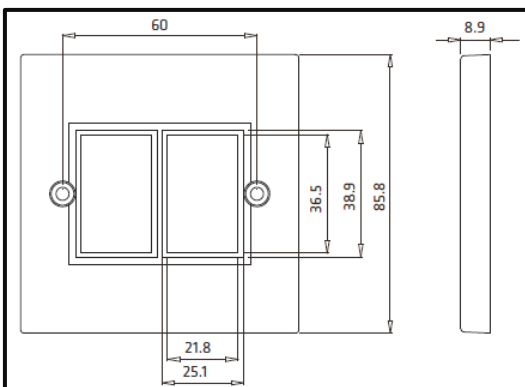
Construction



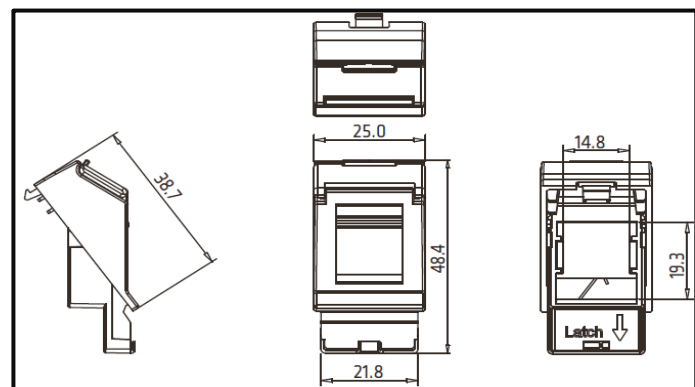
1-Port Empty Frame



LJ6C Flat Adaptor



2-Port Empty Frame



LJ6C Angle Adaptor

Ordering information

SAP1C	UC P/N	Material Description	Product Description	Weight	Item per packaging unit
YFMBP02535	FPUKF1P	UC CACC FM FL 01 6C	Single port flat UK frame face plate (86x86)	31.3g	1 or 50
YFMBP02533	FPUKA1P	UC CACC FM AN 01 6C	Single port angle UK frame face plate (86x86)	31.7g	1 or 50
YFMBP02536	FPUKF2P	UC CACC FM FL 02 6C	Dual port flat UK frame face plate (86x86)	35.0g	1 or 50
YFMBP02534	FPUKA2P	UC CACC FM AN 02 6C	Dual port angle UK frame face plate (86x86)	35.9g	1 or 50
Related Products					
YMJBP01565	MJTF1252W	UC C300 MJ TF U WH V1	Keystone Jack, Cat.5e, RJ45, UTP, 180°, Tool Free, White	8.9g	1
YMJBP01566	MJTF1252B	UC C300 MJ TF U BK V1	Keystone Jack, Cat.5e, RJ45, UTP, 180°, Tool Free, Black	8.9g	1
YMJBP01569	MJTF1262W	UC C400 MJ TF U WH V1	Keystone Jack, Cat.6, RJ45, UTP, 180°, Tool Free, White	9.0g	1
YMJBP01570	MJTF1262B	UC C400 MJ TF U BK V1	Keystone Jack, Cat.6, RJ45, UTP, 180°, Tool Free, Black	9.0g	1
YMJBP02531	MJTF1270WH	UC C500 MJ TF U WH V2	Keystone Jack, Cat.6a, RJ45, UTP, 180°, Tool Free, White, V2	9.0g	1
YMJBP02532	MJTF1270BK	UC C500 MJ TF U BK V2	Keystone Jack, Cat.6a, RJ45, UTP, 180°, Tool Free, Black, V2	9.0g	1
YMJBP02516	MJTF1261	UC C400 MJ TF S V2	Keystone Jack, Cat.6, RJ45, FTP, 180°, Tool Free, Shielded	26.9g	1
YMJBP00104	MJTF1271	UC C500 MJ TF S V6	Keystone Jack, Cat.6a, RJ45, FTP, 180°, Tool Free, Shielded	26.9g	1
YMJBP00335	MJTR9660	UC C300 MJ TS U BU	Keystone Jack, Cat.6, RJ45, UTP, 180°, Tool Free, Black	7.9g	1
YMJBP00336	MJTR9661	UC C300 MJ TS S	Keystone Jack, Cat.6a, RJ45, UTP, 180°, Tool Free, White, V2	9.1g	1
YMJBP00337	MJTR9667	UC C400 MJ TR U BU V1	Keystone Jack, Cat.6a, RJ45, UTP, 180°, Tool Free, Black, V2	8.2g	1
YMJBP00338	MJTR9669	UC C400 MJ TR S V1	Keystone Jack, Cat.6, RJ45, FTP, 180°, Tool Free, Shielded	8.8g	1
YMJBP00340	MJTR9214	UC C500 MJ TR S V5	Keystone Jack, Cat.6a, RJ45, FTP, 180°, Tool Free, Shielded	24.9g	1

Enquiries

Please contact our local sales office or mms.asia@prysmiangroup.com

Multimedia Solutions is the data communication portfolio of Prysmian Group and comprises all the necessary portfolio of cable solutions for data communication.

Ask about UC CONNECT for a complete Structure Cabling Solutions with 25 Years System Warranty.

Visit www.DrakaUC.com for more information.

© PRYSMIAN GROUP 2019, All Rights Reserved

All sizes and values without tolerances are reference values. Specifications are for product as supplied by Prysmian Group: any modification or alteration afterwards of product may give different result.

The information contained within this document must not be copied, reprinted or reproduced in any form, either wholly or in part, without the written consent of Prysmian Group. The information is believed to be correct at the time of issue. Prysmian Group reserves the right to amend this specification without prior notice. This specification is not contractually valid unless specifically authorised by Prysmian Group.